

Dryer Plinth Kit (115mm & Under Counter)

Part Numbers: 94832 & 94852



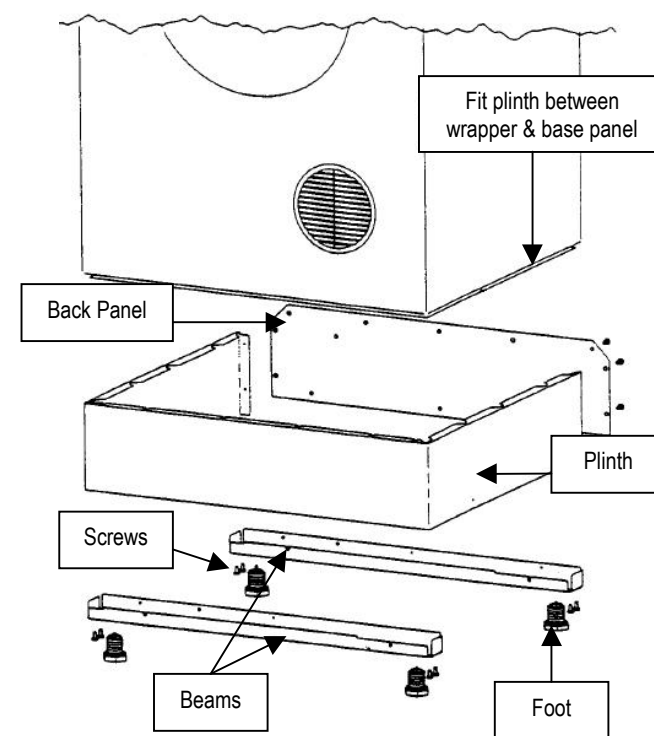
KIT COMPONENTS

- Wrapper plinth 115mm / Under counter
- Back plinth 115mm / Under counter
- Screw (15)
- Beam (2)
- Foot (4)
- Instruction leaflet

ASSEMBLY METHOD

1. Lay dryer on its back.
2. Loosen all 16 screws around perimeter of dryer base. Do not remove wheels or feet.
3. Fit plinth by inserting the top flange of plinth (the flange with the 16 notches) between the base panel and dryer cabinet bottom flange. Fit front flange first springing the sides outward to assist assembly.
4. Adjust plinth to fit flush with the cabinet then tighten screws.
5. Fit front and rear beams using the screws provided.
6. Remove screws from lower rear panel and re-use to fit back plinth panel. Also use screws supplied to secure sides and bottom edge of panel.
7. Screw feet into beams.
8. Stand dryer upright and adjust feet to desired height.

Introduction Date: September 2004



Instruction Sheet Pt No. 460633 Issue E